

Safety Alert

Number: 16-08

Published: 07/03/2016

Subject: Dropped Object – Tank Dog

What Happened / Narrative

After discharging back loaded deck cargo, a securing dog (as pictured below) was found on the cargo deck of a PSV. The item was close to the stowage position of a back loaded tank. After contacting the owner of the lift it was confirmed that the dog had originated from the tank in question. On this occasion, fortunately, the dog did not fall during the transfer of the lift and there were no injuries.

Why Did it Happen / Cause

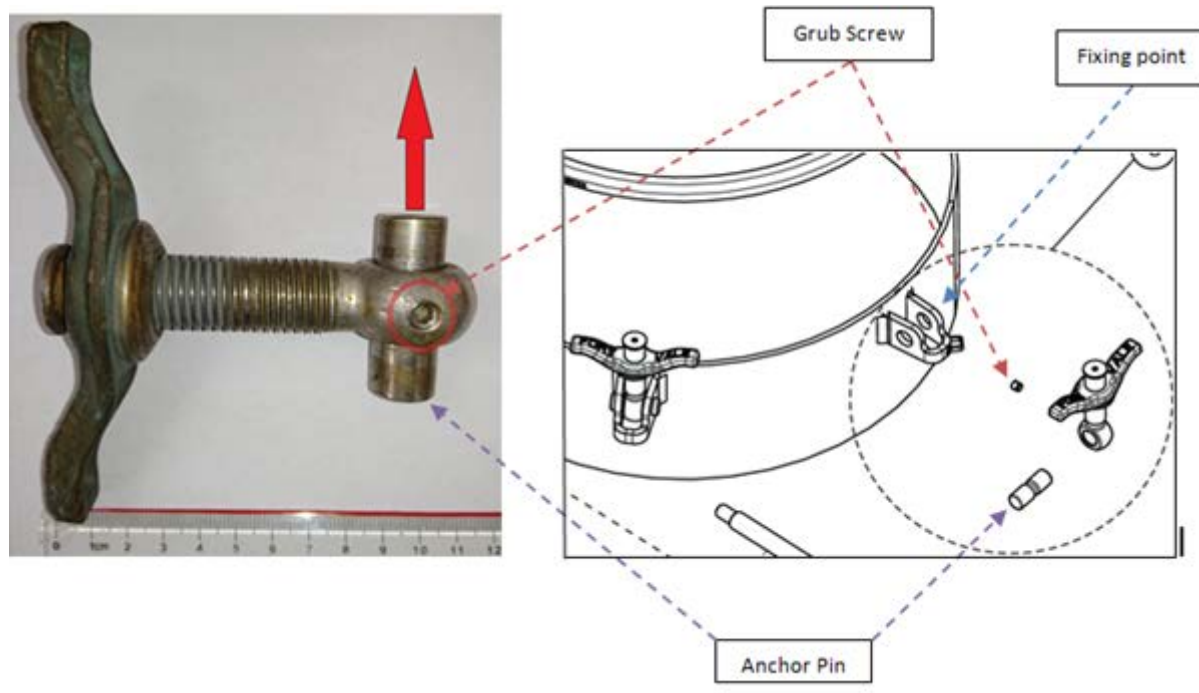
When the dog was located, it was established that the grub screw holding the anchor pin in place had worked loose, allowing the dog to come adrift and fall to the deck of the vessel. This resulted in a dropped object and potentially reduced the ability of the tank to contain liquids effectively.

Corrective Actions Taken / Recommendations

- Incident reported
- Vendor informed of defect – They are in the process of inspecting their fleet for similar defects and specific reference to checking of the grub screw will be included in the inspection routine
- Information distributed to all of operators assets
- Dogs/grub screws to be checked prior to shipping tanks/lifts with similar lid securing arrangements

Photographs / Supporting Information

Picture of dropped item and securing arrangement



The information contained within this Safety Alert and the associated MSF web site is provided in good faith for the benefit of our members and does not necessarily constitute MSF guidance, nor represent the official view of the MSF or its members. The text as provided by submitting organisations may be amended to ensure that it is brief, informative and readable but will as far as reasonably practicable remain as per the intent of the original submission. For the avoidance of doubt no legal liability shall be attached to any guidance, recommendation, advice and/or statement contained therein. Contents should be reviewed individually by recipients who will determine relevance to their own operations.